

EHD IMAGING GMBH

Digital Focuser PDF

*Precision Digital Focuser with 0.350" travel , optimized for CCD-
Astronomy or optical research.*



EHD IMAGING GMBH

Zum Rennplatz 15
D-49401 Damme

Telefon: 05491/2090
Fax: 05491/2098
E-Mail: info@ehd.de

FLI's digital focusers are specifically designed for modern CCD astronomy where the digital imaging system is mounted very close to correct focus.

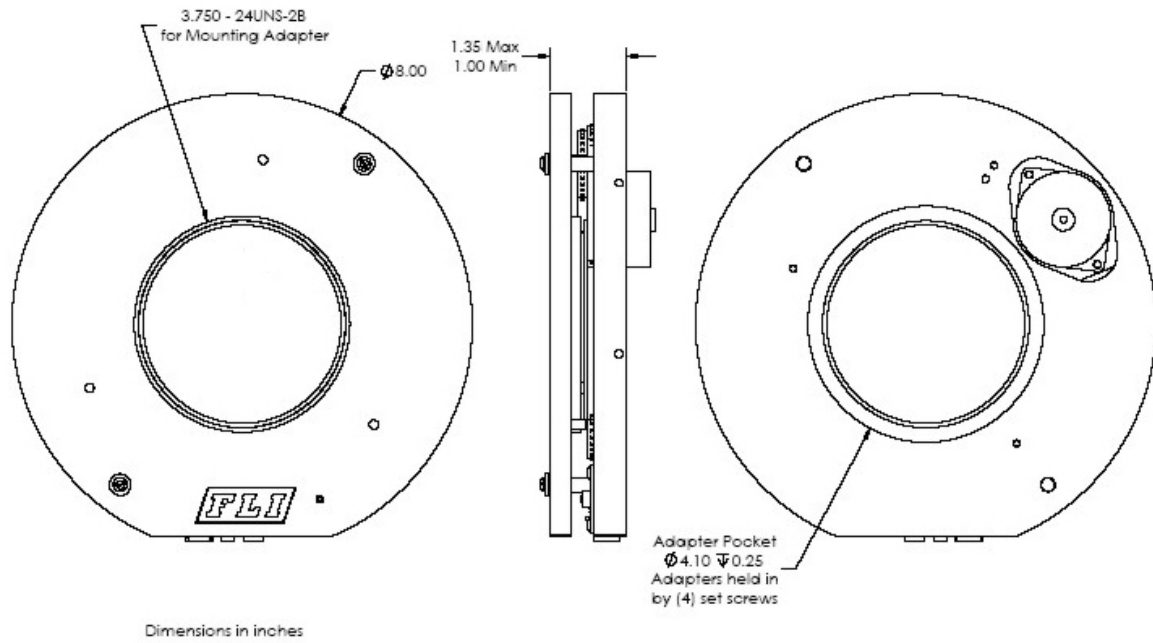
The thin designs allow focusing with short travel optical designs.

All of our focusers are ASCOM compliant and are supplied with a special FLI version of FocusAide.

- Computer Controlled
- Support for Auto-Focussing
- USB Interface
- 0.350" Travel
- 7000 Full Travel Steps
- Clear Aperture 3.45"

Diameter	8.0"
Minimum Body Thickness	1.0"
Minimum Travel	.350"
Full Travel Steps	7000
Load	25 lbs
Axial Load	15 lbs
Camera Side Pocket	4.10" dia./ .25" depth
Telescope Side-Threads	3.750"-24UNS-2B
Clear Aperture-inner shield	3.45"
Focuser Material	Aluminium
Power Supply Output	12VDC, 1A
PC Interface	USB
Weight	2.4lbs (1,1kg)

Dimensions



PDF

