

EHD IMAGING GMBH

MicroLine-Series

Compact TE-cooled Digital Imaging System

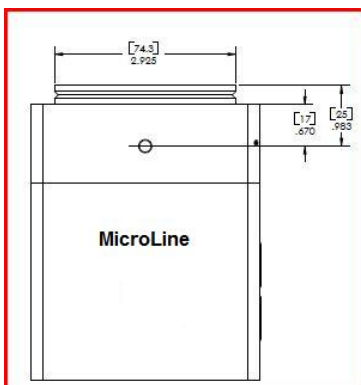


EHD IMAGING GMBH

Zum Rennplatz 15
D-49401 Damme

Telefon: 05491/2090
Fax: 05491/2098
E-Mail: info@ehd.de

Sensor Location:



25mm to Flange Top

Ask for exact Camera dimensionl drawing !

MicroLine is smaller and lighter-weight than the competition, but outperforms them in key areas such as noise, frame quality, download speeds, bit-depth, and CCD cooling.

Typical performance and features include:

- -60 deg C Sustainable Cooling
- 12 Million Pixels/Second Fast Download Speed
- 25/42mm Shutter Configurations
- Camera Dimensions 94 x 94 x 122 mm
- Liquid or Air Cooled Cooling Available
- RBI annihilator standard

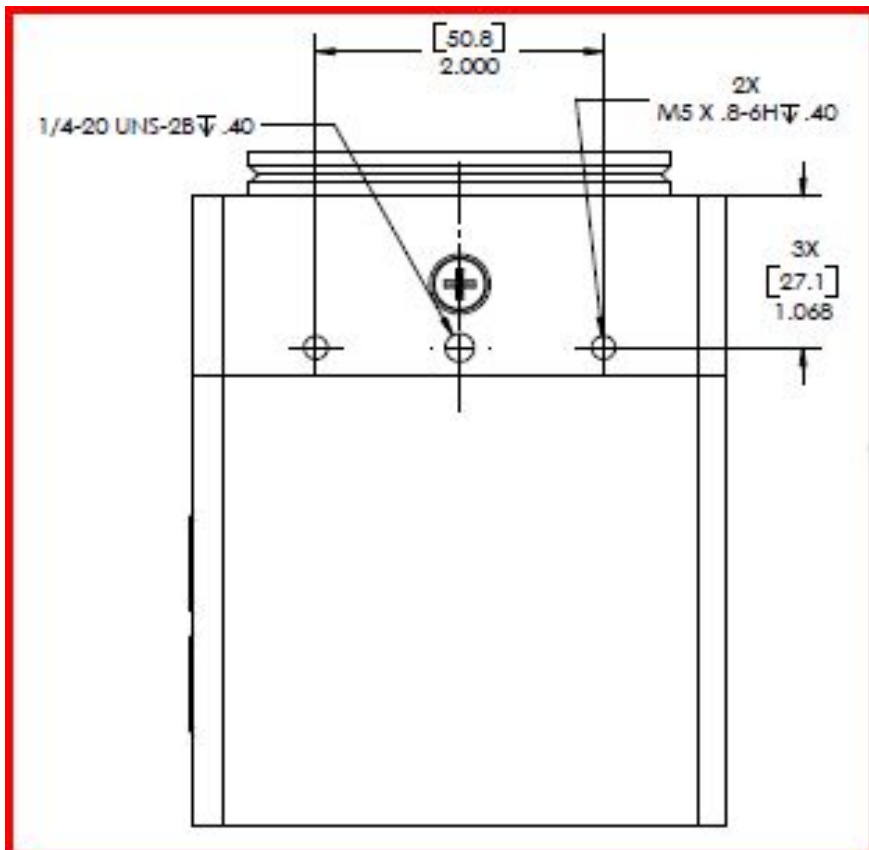
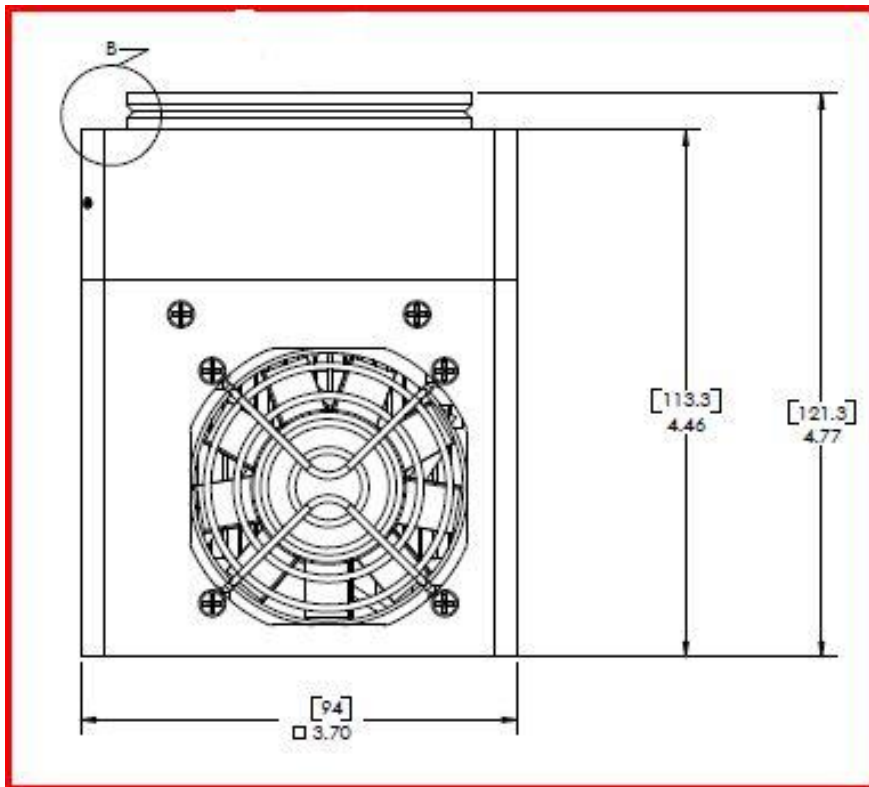
Typical Applications:

- X-ray Applications
- Astronomical Imaging
- Scientific Imaging
- Medical Applications

MicroLine

- Sensor Hermetically sealed
- Argon filled sensor chamber
- Small Form Factor
- High Download Speeds
- Best cooling performance
- Internal Frame Buffer
- USB2.0 Interface
- Binning and overscan
- Low noise, 16 Bit ADC

Dimensions (inch) (x 25.4 = mm):



Microline Camera Matrix



| Type | Sensor | Pixel | Pixelsize (μm) | Sensor Diagonal (mm) | Peak QE (%) | AtoD (Bit) | Download (MHz) | Shutter | Cooling dT (K) | System noise rms e^- (1 MHz) |
|------|--------|-------|--------------------------------|-------------------------|----------------|---------------|-------------------|---------|-------------------|------------------------------------------|
|------|--------|-------|--------------------------------|-------------------------|----------------|---------------|-------------------|---------|-------------------|------------------------------------------|

Interline Transfer

| | | | | | | | | | | |
|----------------------|-----------|-------------|------|------|----|----|----|---------------------|----|----|
| ML1003M | KAI1003M | 1024 x 1024 | 12,8 | 18,5 | 45 | 16 | 12 | electronic | 55 | 50 |
| ML01050 | KAI01050 | 1080 x 1064 | 5,5 | 8 | 50 | 16 | 12 | mechanic/electronic | 60 | 9 |
| ML2020 | KAI-2020 | 1640 x 1214 | 7,4 | 14,8 | 55 | 16 | 12 | mechanic/electronic | 60 | 9 |
| ML4022 | KAI4022 | 2048 x 2048 | 7,4 | 21,4 | 55 | 16 | 12 | mechanic/electronic | 60 | 9 |
| ML0340D | KAI0340 | 640 x 480 | 7,4 | 5,8 | 55 | 16 | 12 | mechanic/electronic | 60 | 8 |
| ML11002M-0-65 | KAI11002 | 4008 x 2672 | 9 | 43,4 | 42 | 16 | 12 | mechanic/electronic | 55 | 9 |
| ML16000M-2-65 | KAI16000M | 4872 x 3248 | 7,4 | 43,4 | 45 | 16 | 12 | mechanic/electronic | 55 | 9 |

Kodak Full Frame

| | | | | | | | | | | |
|---------------------|-------------|-------------|-----|------|----|----|-----|-----------------|----|----|
| ML0261E | KAF0261E | 512 x 512 | 20 | 14,5 | 65 | 16 | 8 | electromechanic | 60 | 9 |
| ML1001E | KAF1001E | 1024 x 1024 | 24 | 34,8 | 72 | 16 | 3,5 | electromechanic | 55 | 9 |
| ML1603ME | KAF1603ME | 1536 x 1024 | 9 | 8,3 | 83 | 16 | 2 | electromechanic | 60 | 12 |
| ML1603UV | KAF1603E-UV | 1536 x 1024 | 9 | 8,3 | 83 | 16 | 2 | electromechanic | 60 | 12 |
| ML3200E | KAF3200E | 2184 x 1510 | 6,8 | 18 | 58 | 16 | 10 | electromechanic | 55 | 9 |
| ML3200ME | KAF3200ME | 2184 x 1510 | 6,8 | 18 | 86 | 16 | 10 | electromechanic | 55 | 9 |
| ML0402ME | KAF0402ME | 768 x 512 | 9 | 8,3 | 83 | 16 | 2 | electromechanic | 60 | 12 |
| ML4301E-1-NS | KAF4301E | 2084 x 2084 | 24 | 70,7 | 65 | 16 | 3 | no shutter | 40 | 10 |
| ML4301E-2-NS | KAF4301E | 2048 x 2048 | 24 | 70,7 | 65 | 16 | 3 | no shutter | 40 | 10 |
| ML6303E | KAF6303E | 3072 x 2048 | 9 | 33,3 | 68 | 16 | 8 | electromechanic | 55 | 9 |
| ML8300 | KAF8300 | 3326 x 2504 | 5,4 | 22,5 | 60 | 16 | 8 | electromechanic | 60 | 8 |

Fairchild Imaging

| | | | | | | | | | | |
|-----------------------|--------|-------------|----|------|----|----|---|----------|----|----|
| ML3041-1-BB-65 | 3041B1 | 2048 x 2048 | 15 | 43,4 | 95 | 16 | 3 | mechanic | 65 | 10 |
| ML3041-2-BB-65 | 3041B2 | 2048 x 2048 | 15 | 43,4 | 95 | 16 | 3 | mechanic | 65 | 10 |
| ML3041-1-FI-65 | 3041F1 | 2048 x 2048 | 15 | 43,4 | 45 | 16 | 3 | mechanic | 65 | 10 |

Kodak Color Sensors

| | | | | | | | | | | |
|--------------------|-------------|-------------|-----|------|----|----|----|------------|----|---|
| ML4022-C | KAI-4022 | 2048 x 2048 | 7,4 | 21,4 | 55 | 16 | 12 | electronic | 65 | 8 |
| ML11002-1-C | KAI-11002CM | 4008 x 2672 | 9 | 43,4 | 51 | 16 | 12 | electronic | 65 | 9 |
| ML11002-2-C | KAI-11002CM | 4008 x 2672 | 9 | 43,4 | 51 | 16 | 12 | electronic | 65 | 9 |
| ML-8300-C | KAF-8300 | 3326 x 2504 | 5,4 | 22,5 | 41 | 16 | 12 | electronic | 55 | 8 |

E2V Technologies

| | | | | | | | | | | |
|---------------------|-------------|-------------|------|------|----|----|---|-----------------|----|-------|
| ML4240-1-BI | 4240-1-368 | 2048 x 2048 | 13,5 | 39 | 92 | 16 | 4 | electromechanic | 65 | 9-10 |
| ML4240-1-FI | 4240-1-368 | 2048 x 2048 | 13,5 | 39 | 50 | 16 | 4 | electromechanic | 65 | 9-10 |
| ML23042-1-BI | 23042-1-143 | 2048 x 2064 | 15 | 43,4 | 85 | 16 | 4 | electromechanic | 65 | 9-10 |
| ML23042-1-FI | 23042-1-144 | 2048 x 2064 | 15 | 43,4 | 70 | 16 | 4 | electromechanic | 65 | 9-10 |
| ML4710-1-DD | 4710-1-109 | 1024 x 1024 | 13 | 18,8 | 85 | 16 | 4 | electromechanic | 65 | 9-10 |
| ML4710-1-MB | 4710-1-353 | 1024 x 1024 | 13 | 18,8 | 93 | 16 | 4 | electromechanic | 65 | 9-10 |
| ML4710-1-BB | 4710-1-371 | 1024 x 1024 | 13 | 18,8 | 85 | 16 | 4 | electromechanic | 65 | 9-10 |
| ML4710-1-UV | 4710-1-373 | 1024 x 1024 | 13 | 18,8 | 85 | 16 | 4 | electromechanic | 65 | 9-10 |
| ML4710-1-FL | 4710-1-079 | 1024 x 1024 | 13 | 18,8 | 45 | 16 | 4 | electromechanic | 65 | 10 |
| ML4710-1-F | 4710-1-354 | 1024 x 1024 | 13 | 18,8 | 45 | 16 | 4 | electromechanic | 65 | 10 |
| ML77-1-MB | 7700-1-358 | 512 x 512 | 24 | 17,4 | 85 | 16 | 4 | electromechanic | 65 | 10-12 |

MB=Midbandcoating; BB= Broadbandcoating; UV=UVAR Coating; DD=Deep Depletion IR enhanced