

EHD IMAGING GMBH

ProLine-Series

Compact TE-cooled Digital Imaging System

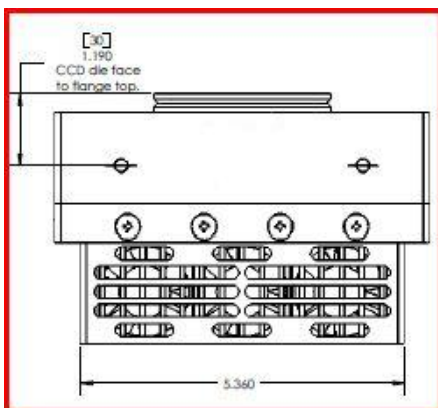


EHD IMAGING GMBH

Zum Rennplatz 15
D-49401 Damme

Telefon: 05491/2090
Fax: 05491/2098
E-Mail: info@ehd.de

Sensor Location:



30,226mm to Flange Top

ProLine sets the standards in key performance areas that include: Download Speeds, Cooling, Low Noise Operation, Anti-Ghosting Technology, Image Quality, and Linearity

Typical performance and features include:

- -75 deg C Sustainable Cooling
- 12 Million Pixels/Second Fast Download Speed
- 42/65/90mm Shutter Configurations
- Camera Dim. 157.5 x 157.5 x 104,5 mm
- Liquid or Air Cooled Cooling Available
- RBI annihilator standard

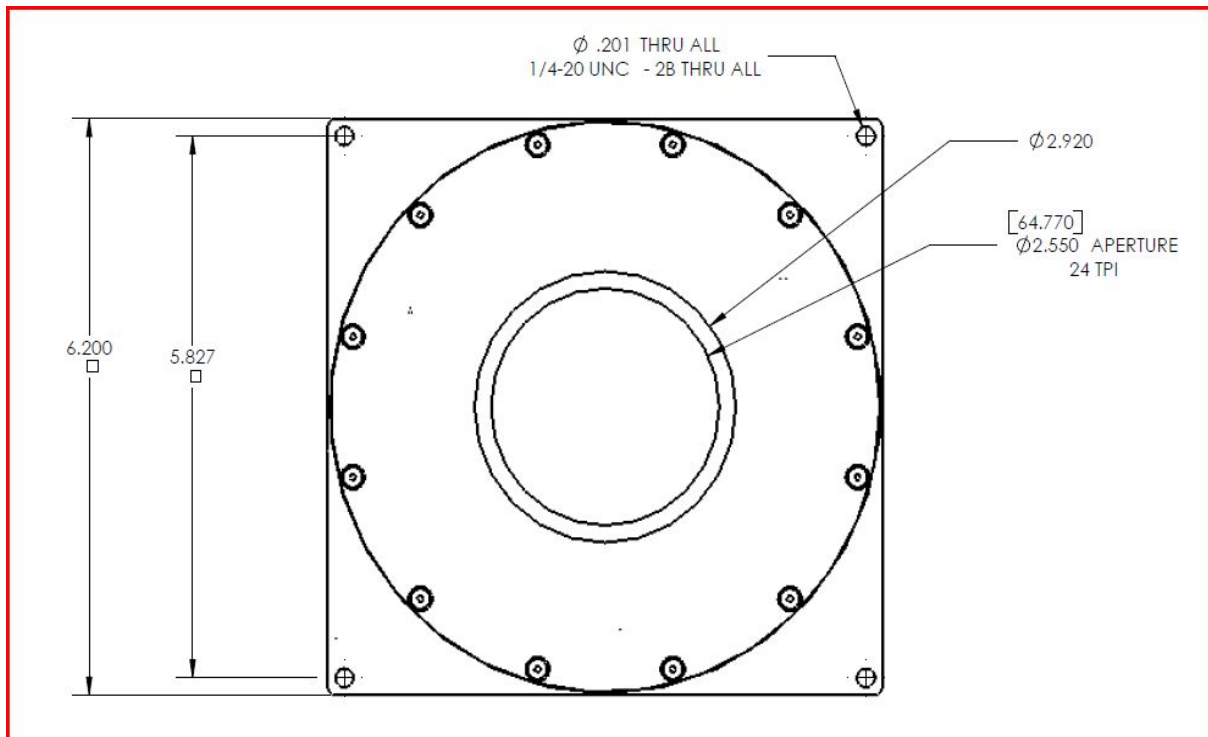
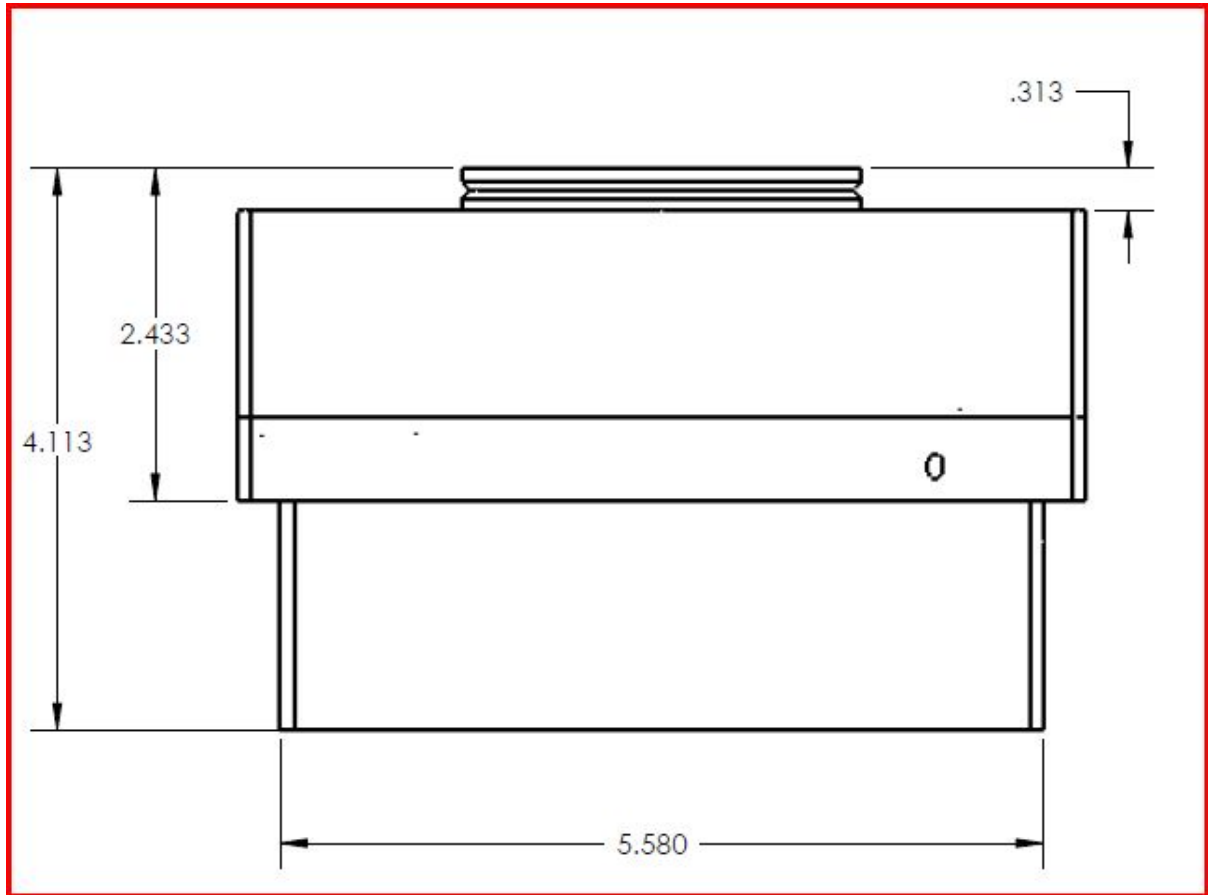
Typical Applications:

- X-ray Applications
- Astronomical Imaging
- Scientific Imaging
- Medical Applications

ProLine

- Sensor Hermetically sealed
- Argon filled sensor chamber
- Small Form Factor
- High Download Speeds
- Best cooling performance
- Internal Frame Buffer
- USB2.0 Interface
- Binning and overscan
- Low noise, 16 Bit ADC

Dimensions (inch) (x 25.4 = mm):



Proline Camera Matrix



Type	Sensor	Pixel	Pixelsize (μm)	Sensor Diagonal (mm)	Peak QE (%)	AtoD (Bit)	Download (MHz)	Shutter	Cooling dT (K)	System noise rms e ⁻ (1 MHz)
------	--------	-------	--------------------------------	-------------------------	----------------	---------------	-------------------	---------	-------------------	--

E2V Technologies

PL4240-1-BI	4240-1-368	2048 x 2048	13,5	39,1	92	16	4	electromechanic	75	10
PL4240-1-FI	4240-1-383	2048 x 2048	13,5	39,1	70	16	3	electromechanic	75	10
PL42-10-1-970	4210-1-970	2048 x 512	13,5	28,4	80	16	3	electromechanic	75	10
PL23042-1-FI	23042-1-144	2048 x 2064	15	43,4	70	16	4	electromechanic	75	8
PL23042-1-BI	23042-1-143	2048 x 2064	15	43,4	85	16	4	electromechanic	75	8
PL77-1-MB	7700-1-358	512 x 512	24	17,4	85	16	4	electromechanic	75	10
PL4710-1-DD	4710-1-109	1024 x 1024	13	18,8	85	16	4	electromechanic	75	10
PL4710-1-MB	4710-1-353	1024 x 1024	13	18,8	93	16	4	electromechanic	75	10
PL4710-1-BB	4710-1-371	1024 x 1024	13	18,8	85	16	4	electromechanic	75	10
PL4710-1-UV	4710-1-373	1024 x 1024	13	18,8	85	16	4	electromechanic	75	10
PL4710-1-FL	4710-1079	1024 x 1024	13	18,8	45	16	4	electromechanic	75	10
PL4710-1-F	4710-1-354	1024 x 1024	13	18,8	45	16	4	electromechanic	75	10

Kodak Interline

PL4022	KAI-4022	2048 x 2048	7,4	21,4	55	16	12	mechanic/electronic	75	8
PL11002M-0	KAI-11002-M	4008 x 2672	9	43,4	51	16	12	mechanic/electronic	75	9
PL11002M-1	KAI-11002-M	4008 x 2672	9	43,4	51	16	12	mechanic/electronic	75	9
PL11002M-2	KAI-11002-M	4008 x 2672	9	43,4	51	16	12	mechanic/electronic	75	9
PL16000M-1	KAI-16000-M	4872 x 3248	7,4	43,4	49	16	12	mechanic/electronic	75	7
PL16000M-2	KAI-16000-M	4872 x 3248	7,4	43,4	45	16	12	mechanic/electronic	75	7

Kodak Color Sensors

PL4022-C	KAI-4022	2048 x 2048	7,4	21,4	55	16	12	mechanic/electronic	75	8
PL11002-C	KAI-11002-CM	4008 x 2672	9	43,4	51	16	12	mechanic/electronic	75	9
PL8300-C	KAF-8300CE	3326 x 2504	5,4	22,5	41	16	12	electromechanic	75	8
PL31600-C	KAF-31600CE	6496 x 4872	6,8	55,2	43	16	14	electromechanic	75	10
PL39000-C	KAF-39000CE	7216 x 5412	6,8	61,3	30	16	12	electromechanic	75	10

Kodak Full Frame

PL1001E-2	KAF1001E	1024 x 1024	24	34,8	72	16	3,5	electromechanic	75	8
PL1603	KAF1603ME	1536 x 1024	9	8,3	77	16	2	electromechanic	75	12
PL3200	KAF3200E	2184 x 1510	6,8	18	58	16	8	electromechanic	75	7
PL4301E-1	KAF4301E	2084 x 2084	24	70,7	65	16	3	electromechanic	75	10
PL4301E-2	KAF4301E	2084 x 2084	24	70,7	65	16	3	electromechanic	75	10
PL4320E-1	KAF4320E	2084 x 2085	24	70,7	72	16	3	electromechanic	75	12
PL4320E-2	KAF4320E	2084 x 2085	24	70,7	72	16	3	electromechanic	75	12
PL6303	KAF6303E	3072 x 2084	9	33,3	68	16	8	electromechanic	75	9
PL8300	KAF8300	3326 x 2504	5,4	22,5	60	16	8	electromechanic	75	8
PL09000	KAF09000	3056 x 3056	12	51,8	64	16	10	electromechanic	75	7
PL16801-1	KAF16801-E	4096 x 4096	9	52,1	66	16	8	electromechanic	75	9
PL16801-2	KAF16801-E	4096 x 4096	9	52,1	66	16	8	electromechanic	75	9
PL16803	KAF-16803	4096 x 4096	9	52,1	61	16	8	electromechanic	75	9
PL39000	KAF-39000	7216 x 5412	6,8	61,3	30	16	12	electromechanic	75	10
PL50100	KAF-50100	8304 x 6220	6	62,2	25	16	8	electromechanic	75	10

Fairchild imaging

PL3041-1-BB	CCD-3041B1	2048 x 2048	15	43,4	95	16	2	electromechanic	65	10
PL3041-2-BB	CCD-3041B1	2048 x 2048	15	43,4	96	16	2	electromechanic	65	10
PL3041-1-UV	CCD-3041B1	2048 x 2048	15	43,4	96	16	2	electromechanic	65	10
PL3041-2-UV	CCD-3041B1	2048 x 2048	15	43,4	96	16	2	electromechanic	65	10
PL3041-1-FI	CCD-3041B1	2048 x 2048	15	43,4	44	16	2	electromechanic	65	10

MB=Midbandcoating; BB= Broadbandcoating; UV=UVAR Coating; DD=Deep Depletion IR enhanced