

CCD-Digital-Camera

Mini Camera Data Sheet



UK1158 - M **SXGA+ monochrome (UV-Version optional)**
UK1158 - C **SXGA+ color**

The UK1158 Mini Camera is a compact CCD camera designed for industrial and scientific image processing tasks. The camera is part of the EHD CCD camera family with different features for various applications. Typical fields of application for the 1,4 megapixel cameras are high resolution measurement, microscopy, documentation and surveillance.

The *EXview HAD CCD* sensor provides high signal-to-noise ratio even at poor lighting conditions. The global shutter allows image capture of fast moving objects. The short-circuit-proof opto-decoupled digital outputs and opto-decoupled digital inputs are advantageous in order to use the camera under rough conditions. The camera can control flashlight illumination. The small body allows assembly flexibility in cases with little space in machines or facilities. The camera is available as color or monochrome version.

The fast USB2.0 interface allows the transmission of a maximum of 15 noncompressed live images per second at full sensor resolution. Thus the user has the possibility to implement image processing applications without using an additional frame grabber. With the integrated high performance DSP developers may realize image processing or image pre-processing tasks directly in the camera. Thus the camera can be used as a stand-alone intelligent optical sensor.

The built-in memory is able to save up to 20 images and provides the possibility to decouple image capturing and transmission.

The camera is also available as UV-Version with Lumogen coated sensor and fused silica window

Pixel resolution	1360 × 1024 Pixel (SXGA+), square Pixel, <i>EXview HAD</i>
CCD sensor	2/3" CCD
Frame rate (sensor)	15 fps
Shutter	Global Shutter
Exposure time	80 µs - 270 s
Pixel size	6,45 µm × 6,45 µm
A/D resolution	12 bit
Data interface	High-Speed USB2.0
Processor	built-in DSP
Image memory	32 MByte
Power supply	USB bus powered
Dimensions	31 mm × 45 mm × 56 mm
Lens mounting	C-mount



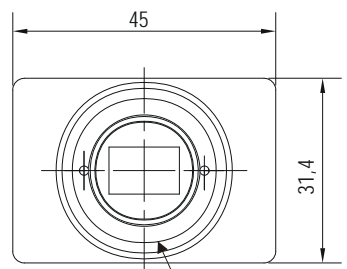
Technical Specifications

Sensor	2/3" CCD progressive scan, monochrome 2/3" CCD progressive scan, color, BAYER pattern
Resolution	1360 × 1024 (SXGA+, 1.4 megapixel)
Pixel size	6,45 µm × 6,45 µm
Lens mounting	C-mount
Frame rate	15 fps at 1360 × 1024 (within camera) in "Continuous" mode over USB2.0 (dependent on PC)
Electronic shutter	global shutter
Exposure time	80 µs - 270 s
Gain	1 - 16 ×
Built-in memory	32 MByte
DSP power	1200 MMAC
External trigger	trigger input, opto-decoupled
Exposure control	strobe output, opto-decoupled
Digital inputs*	2× opto-decoupled input (freely programmable) 1× fast TTL trigger input
Digital outputs*	2× opto-decoupled output (programmable as strobe)
HOST interface	USB2.0 (mini-USB plug)
Power supply (camera)	USB bus powered
Power loss	typically 2,4 W
Temperature range (operational)	0°C - 55°C
Temperature range (store)	-20°C - +70°C
Dimensions	31 mm × 45 mm × 56 mm
Weight	80 g (without lens)

optional

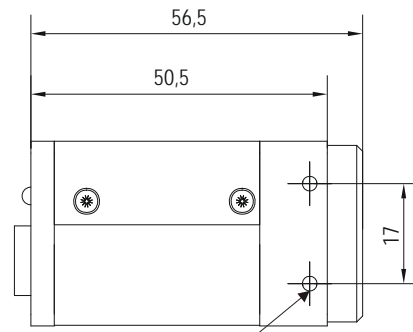
Dimensions

Frontansicht



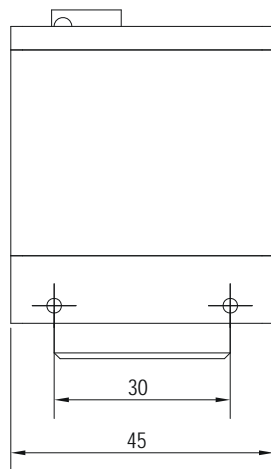
1-32 UN C-Mount

Seitenansicht



8 x M3 für Montage

Oben



Rückansicht

