

CMOS-Digital-Camera



Mini Camera Data Sheet

UK1185-M monochrome
UK1185-C color

The UK1185 Mini Camera is a compact 5 MPixel CMOS camera designed for industrial and scientific image processing tasks. The camera is part of the EHD CMOS camera family with different features for various applications. Typical fields of application for the 5 megapixel cameras are high resolution measurement, microscopy, documentation and surveillance.

Optional opto-decoupled input and output ports permit camera operation even under harsh environmental conditions.

The small body allows assembly flexibility in cases with little space in machines or facilities.

The fast USB2.0 interface allows the transmission of a maximum of 9 noncompressed live images per second at full sensor resolution. Thus the user has the possibility to implement image processing applications without using an additional frame grabber. The sensor provides frame rates up to 9 frames per second depending on the resolution. With the integrated high performance DSP developers may realize image processing or image pre-processing tasks directly in the camera. Thus the camera can be used as a stand-alone intelligent optical sensor.

The built-in memory is able to save up to 6 images and provides the possibility to decouple image capturing and transmission.

Pixel resolution	2592 × 1944 square Pixel
CMOS sensor	1/ 2.5"
Frame rate (sensor)	9 fps [at full resolution]
Shutter	rolling shutter
Exposure time	70 µs bis 50 s
Pixel size	2.2 µm × 2.2 µm
A/D resolution	12 bit
Data interface	USB 2.0
Processor	built-in DSP
Image memory	32 Mbyte
Power supply	USB bus powered
Dimensions	31 mm × 45 mm × 50 mm
Lens mounting	C-mount



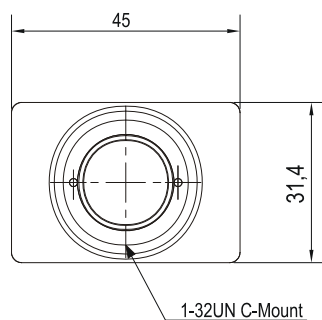
Technical Specifications

Sensor	1/ 2.5" CMOS progressive scan, monochrome 1/ 2.5" CMOS progressive scan, color, BAYER pattern
Resolution	2592 × 1944 (5 Megapixel)
Pixel size	2.2 µm × 2.2 µm
Lens mounting	C-mount
Frame rate	- 9 fps at 2592 × 1944 pixel (within camera) - typically 5 fps in "Continuos" mode at 2592 × 1944 over USB2.0 (dependent on PC)
Electronic shutter	rolling shutter
Exposure time	70 µs bis 50 s
Gain	0 to 42 dB
Dynamic range	70 dB
Built-in memory	32 MByte
DSP power	1200 MMAC
HOST interface	USB2.0 (mini-USB plug)
Power supply (camera)	USB bus powered
Power loss	typically 1,8 W
Temperature range (operational)	0°C to 55 °C
Temperature range (store)	-20°C to +70°C
Dimensions	31 mm × 45 mm × 50 mm
Weight	80 g (without lens)

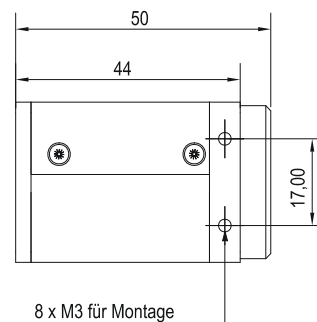
Optional: Digital I/O

Dimensions

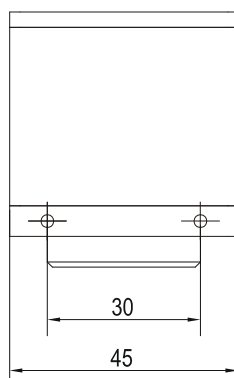
Frontansicht



Seitenansicht



Oben



Rückansicht

