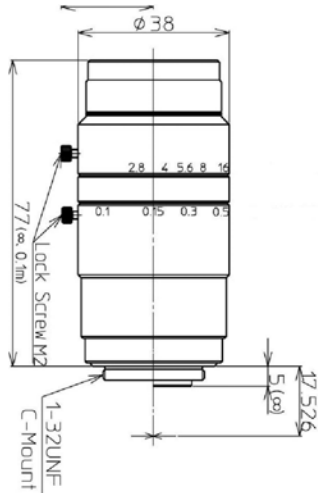




LM50JC10M
 Image Format: 2/3"
 Focal Length, f = 50 mm
 F-Stop: F2.8 ~ F16
 M.O.D. = 0,1m ~ ∞
 Resolution: 200lp/mm;160lp/mm
 Distortion: <0.02%
 Filter Size: Ø M30.5 X P0.5
 Weight: 170g
 Size (Ø x L): 38 x 77 mm
 Mount: C-Mount

Dimensional Drawing

LM50JC10M



2/3" 1.3 Megapixel Camera

UK-1158M
 (Sony ICX285 Sensor)
 USB2.0 Interface



Features

- 1300 x 1024 (SXGA+) Pixel
- Pixelsize 6,45µm x 6,45µm
- 15 fps @ full resolution
- Global shutter: 80µs to 270s exposure
- 32 Mbyte internal Memory
- Digital I/O
- Small size: 31mm x 45mm x 56mm
- Weight only 80g
- USB2.0 Interface
- Software and SDK (DLL's)
- ImageJ and MicoManager Plugin

www.ehd.de



2/3" HD Lenses
10 Megapixel
 (C-Mount)



EHD imaging GmbH
 Zum Rennplatz 15
 D-49401 Damme
 Tel.: 05491-2090
 Fax: 05491-2098
 E-mail: info@ehd.de



LM5JC10M

Image Format: 2/3"
 Focal Length, f = 5 mm
 F-Stop: F1.8 ~ 16
 M.O.D. = 0,1m ~ ∞
 Resolution: 200lp/mm;160lp/mm
 Distortion: <0.33%
 Filter Size: Ø M46 X P0.75
 Weight: 120 g
 Size (Ø x L): 48 x 59,4 mm
 Mount: C-Mount



LM8JC10M

Image Format: 2/3"
 Focal Length, f = 8,5 mm
 F-Stop: F1.8 ~ F22
 M.O.D. = 0,1 m ~ ∞
 Resolution: 200lp/mm;160lp/mm
 Distortion: < 0.31%
 Filter Size: Ø M34 X P0.5
 Weight: 115g
 Size (Ø x L): 36 x 56 mm
 Mount: C-Mount



LM12JC10M

Image Format: 2/3"
 Focal Length, f = 12 mm
 F-Stop: F1.8 ~ F11
 M.O.D. = 0,1m ~ ∞
 Resolution: 200lp/mm;160lp/mm
 Distortion: < 0.12%
 Filter Size: Ø M25.5 X P0.5
 Weight: 105g
 Size (Ø x L): 27 x 53,5 mm
 Mount: C-Mount

Dimensional Drawing

Dimensional Drawing

Dimensional Drawing

LM5JC10M

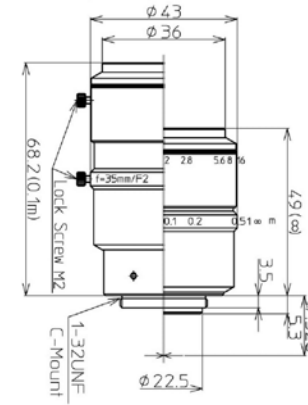
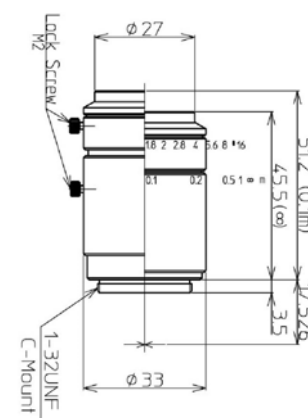
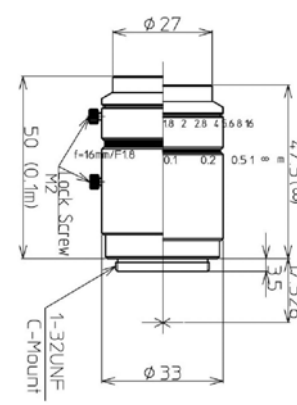
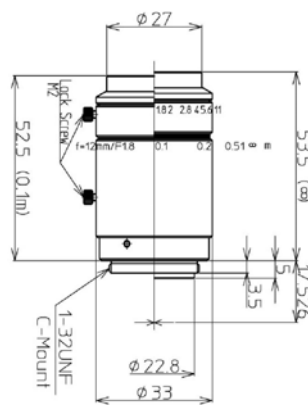
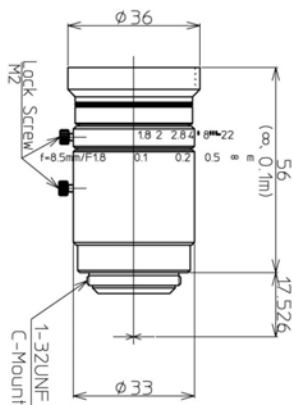
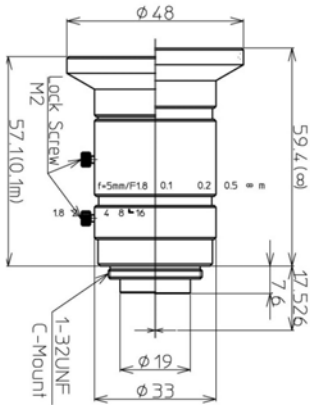
LM8JC10M

LM12JC10M

LM16JC10M

LM25JC10M

LM35JC10M



LM16JC10M

Image Format: 2/3"
 Focal Length, f = 16 mm
 F-Stop: F1.8 ~ 16
 M.O.D. = 0,1 ~ ∞
 Resolution: 200lp/mm;160lp/mm
 Distortion: < 0.2%
 Filter Size: Ø M25.5 X P0.5
 Weight: 90 g
 Size (Ø x L): 27 x 47.5 mm
 Mount: C-Mount



LM25JC10M

Image Format: 2/3"
 Focal Length, f = 25 mm
 F-Stop: F1.8 ~ F16
 M.O.D. = 0,1m ~ ∞
 Resolution: 200lp/mm;160lp/mm
 Distortion: <0.09%
 Filter Size: Ø M25.5 X P0.5
 Weight: 95g
 Size (Ø x L): 27 x 51.2 mm
 Mount: C-Mount



LM35JC10M

Image Format: 2/3"
 Focal Length, f = 35 mm
 F-Stop: F2.0 ~ F16
 M.O.D. = 0,1m ~ ∞
 Resolution: 200lp/mm;160lp/mm
 Distortion: <0.05%
 Filter Size: Ø M34 X P0.5
 Weight: 160g
 Size (Ø x L): 43 x 49 mm
 Mount: C-Mount