

EHD IMAGING GMBH

# EHD 100JC

*High Quality FA Lens with Fixing Screws*



## EHD IMAGING GMBH

Zum Rennplatz 15  
D-49401 Damme

Telefon: 05491/2090  
Fax: 05491/2098  
E-Mail: info@ehd.de

The EHD100JC is a High-Quality FA lens with a focal length of  $f=100\text{mm}$ .

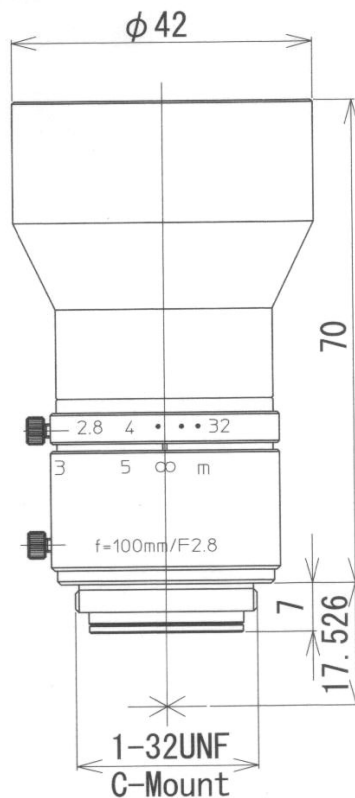
The design is very small and light weight and the ideal solution if a zoom lens can't be used. The lens can be fit to 2/3", 1/2" and 1/3" sensor format cameras with C-Mount.

The focus and iris ring can be fixed with screws.

- High-Quality
- 100lp/mm
- 2/3" max.
- Light weight
- Small design

## Technical Data EHD100JC

<b>Model</b>	EHD100JC	<b>Resolution center/corner</b>	100lp / 60lp
<b>Focal Length</b>	100 mm	<b>Distortion</b>	-0.05%
<b>Iris Range (F-Stop)</b>	F2.8-32	<b>FoV at MOD</b>	36.8(H)x27.6(V)x46.0(D)
<b>Focusing Range</b>	2m – infinity	<b>Filter Diameter</b>	M40.5 X P0.5
<b>Focus / Iris</b>	Manual / fixing screws	<b>Size</b>	D=42mm x 70mm
<b>Field Angle at 2/3"</b>	H: 5.0° / V: 3.8°	<b>Weight</b>	150g



### Optical Magnification at MOD with Extension Tube

W/o extension tube	MOD	2082mm
	Mag.	0.05X
10mm Extension Tube	MOD	749mm
	Mag.	0.15X
15mm Extension Tube	MOD	582mm
	Mag.	0.2X
20mm Extension Tube	MOD	482mm
	Mag.	0.25X