

EHD IMAGING GMBH

# EHD50TC

*Telecentric Megapixel Lens*



## EHD IMAGING GMBH

Zum Rennplatz 15  
D-49401 Damme

Telefon: 05491/2090  
Fax: 05491/2098  
E-Mail: info@ehd.de

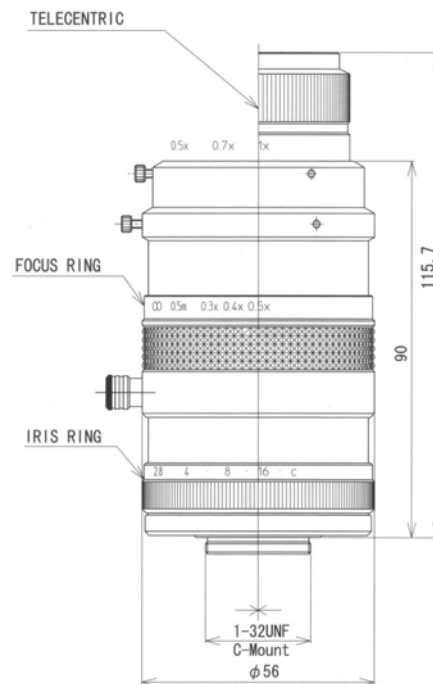
The EHD50TC has a wide telecentric focusing range of 0.5X to 1.0X and 0.3X for macro use. It reduces or eliminates viewing angle- and magnification error and provides high resolution and contrast.

The EHD50TC lens can be used with 2/3", 1/2" and 1/3" format cameras and has a focusing range from 0.085m to infinity.

- 0.5–1.0X focusing range
- High resolution
- Low distortion
- 2/3"
- High corner contrast
- Makro function

## Technical Data EHD50TC

<b>Model</b>	EHD50TC	<b>Magnification</b>	0.5X–1.0X
<b>Focal Length</b>	50 mm	<b>Distortion</b>	Less than 0.1%
<b>Iris Range (F-Stop)</b>	F2.8–16C	<b>FoV at MOD 2/3"</b>	8.8(H)x6.6(V)mm
<b>Focusing Range</b>	0.085m – infinity	<b>Filter Diameter</b>	M37.5 X P0.5
<b>Focus / Iris</b>	Manual / fixing screws	<b>Size</b>	D=56mm x 115.7mm
<b>Field Angle at 2/3"</b>	H: 10.0° V: 7.5°	<b>Weight</b>	317g



### EHD50TC Field of View

WD (mm)	Optical Mag.	2/3"		1/2"		1/3"	
		H	V	H	V	H	V
<b>Variable Telecentric range</b>							
85	1.0X	8.8	6.6	6.4	4.8	4.8	3.6
115	0.7X	12.6	9.4	9.1	6.9	6.9	5.1
	0.5X	17.6	13.2	12.8	9.6	9.6	7.2
<b>Infinity range</b>							
200	0.29X	30.5	22.9	22.2	16.6	16.6	12.5
300	0.18X	47.8	35.8	34.7	26.0	26.0	19.5
500	0.11X	82.9	62.1	60.2	45.2	45.2	33.9
1,000	—	170.7	128.0	124.1	93.1	93.1	69.8
3,000	—	348.0	260.8	253.0	189.7	189.7	142.3