

# High Speed Filter Wheels

*Fluorescent Microscopy · Live Cell Imaging · DNA Sequencing*

## HS-625, HS-1025, HS-1032

### FEATURES

- *Fastest Filter Exchange Times Available in the Market*
- *Optimal Filter Exchange Time, No Matter the Number of Filters Installed on the Wheel*
- *Exceptional Reliability*
- *6 and 10 Position Wheels Available*
- *Digital Triggering Functionality*
- *Large Selection of Microscope Adapters Available*

***Custom designed products, fit to your specifications  
are always available!***

### HS-625

- *23 Millisecond Filter Exchange*
- *Six Positions for 25mm and 1inch Filters*

### HS-1025

- *30 Millisecond Filter Exchange*
- *Ten Positions for 25mm and 1inch Filters*

### HS-1032

- *30 Millisecond Filter Exchange*
- *Ten Positions for 32mm Filters*

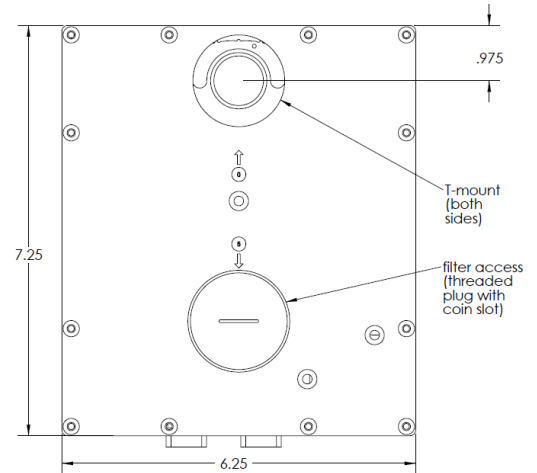
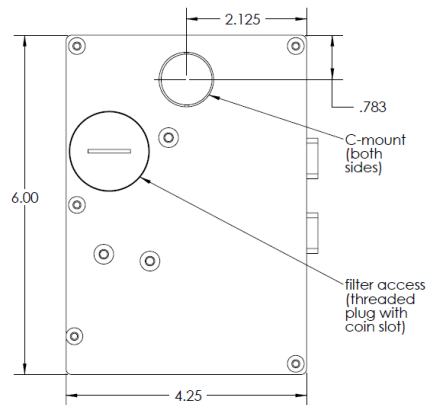


# High Speed Filter Wheels

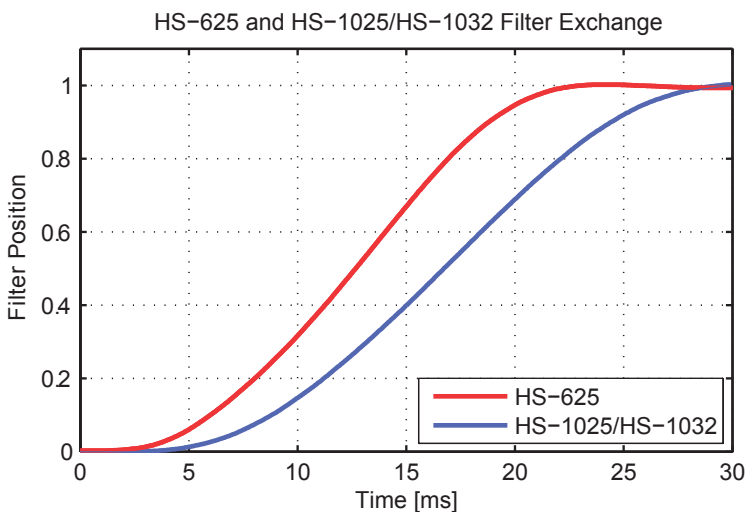
## Application Notes

FLI's High Speed Filter Wheels address the demands of modern microscopy automation systems by delivering up to 23 ms filter exchange speed in a compact package. The control system continuously monitors the position of the wheel and adjusts the amount of torque delivered by the motor, allowing the wheel to precisely follow the optimized motion trajectory. The performance of these units are consistent even when the wheel is fully loaded with filters.

This is possible thanks to the performance of brushless servo motors that are more efficient than their stepper counterparts. In the HS-625, HS-1025, and HS-1032 High Speed Filter Wheel units, the control algorithm is optimized and the circuitry is embedded in the filter wheel housing. This eliminates the need for an external drive unit. The daisy-chaining mode adds versatility, allowing for up to three wheels to be controlled from a single RS-232 port.



*HS-625, HS-1025, and HS-1032 are suitable for OEM applications*



EHD imaging GmbH  
Zum Rennplatz 15  
49401 Damme/Germany  
Phone: +49-5491-2090  
Fax: +49-5491-2098  
web: www.ehd.de  
e-mail: info@ehdimaging.de

