

EHD IMAGING GMBH

UV-Camera

4.0 Megapixel sCMOS backilluminated UV Camera USB3.0

SCM2020-UV

EHD imaging GmbH
Zum Rennplatz 15
D-49401 Damme

Phone: +49-5491-2090
Fax: +49-5491-2098

e-mail: info@ehdimaging.de
www.ehd.de

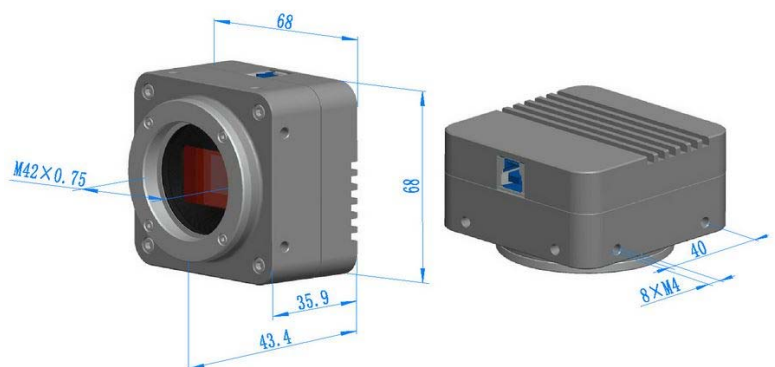
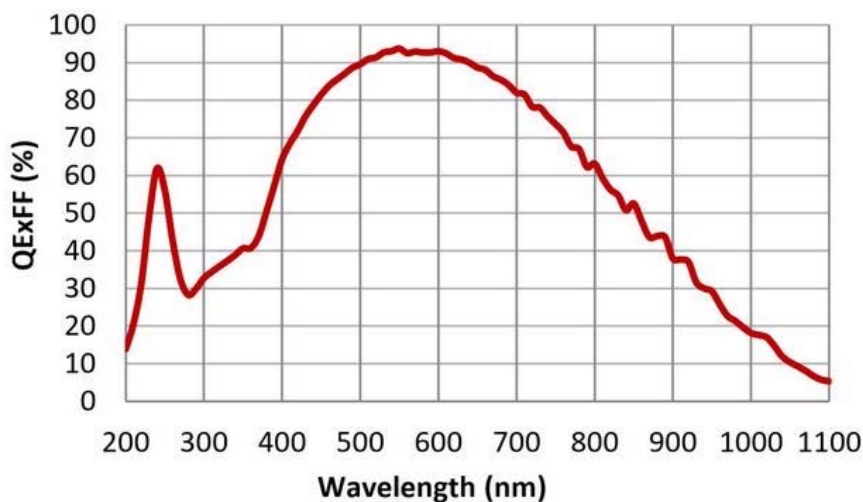


Key Features:

- 4,0MPixel
- GSENSE2020BSI
- 200nm –1100nm
- 0.1ms—1000s
- 45 fps
- USB3.0
- M42 and C-Mount
- EHDView Software
- Software SDK

Optional:

- F-Mount Adapter



Specifications: SCM2020-UV

Image Sensor	1.2" GSENSE2020BSI back illuminated
Resolution	2048 x 2048
Pixel Size (H x V) μm	6.5 x 6.5
Active Sensor Size (H x V) mm	13.3 x 13.3
Full well	54ke-
Dark current	<2e- @ 12bit
A/D	12bit
Exposure Control	0.1ms ~ 1000s
Frame Rate	45 fps
Lens Mount	M42 and C-Mount
Operation Temperatur	-10°C ~ 50°C
Power source	DC 5V USB port powered, 3.4W (680mA)
Dimensions (WxHxD) mm	68 x 68 x 43.4
Weight (without lens)	400g

F-Mount adapter optional available

