

# UV

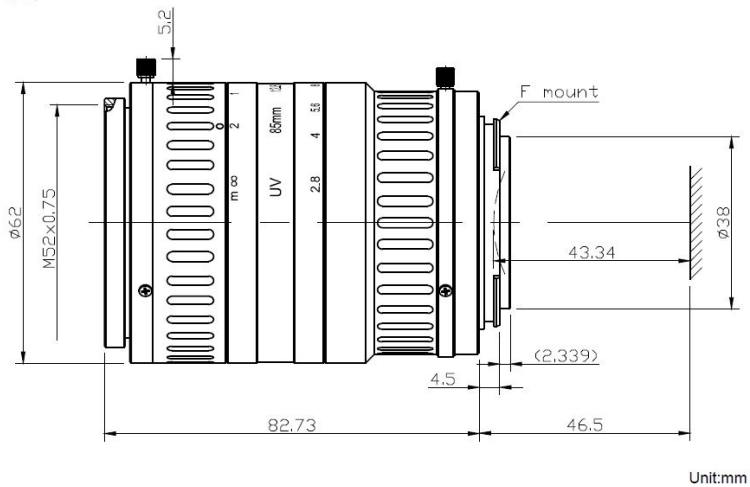


## EHD-AZ8525UV, 1.2" – 4/3" UV Lens

No.	Name	Specification	No.	Name	Specification
1	Model	EHD-AZ8525UV	10	F.o.V 1"	D9.04, H7.25, V5.44
2	Format	25mm	11	Working Distance	0.4m – inf.
3	Focal length	85mm	12	Resolution	65lp/mm
4	Mount	F	13	Wavelength	200 – 1000nm
5	F No.	F2.8 – 32	14	Filter Thread	M52 x 0.75
6	Back Focus	43.34mm	15	Dimension	D=62mm x l=82.73mm
7	Iris Type	Manual	16	Weight	-
8	EFL	-			
9	Distortion	< 1.45%			

### Dimensions

Size:



### Produkt Image



EHD imaging GmbH  
Zum Rennplatz 15  
D-49401 Damme (Germany)

Tel: +49-5491-2090  
email: [info@ehdimaging.de](mailto:info@ehdimaging.de)  
web: [www.ehd.de](http://www.ehd.de)

# UV

