

EHD Macro Zoom Lenses



EHD Macro Zoom Series

Long working distance

Features

- 1/3" – 2/3" sensor support
- 0.1X – 10.0X Magnification range
- 95 – 213mm Working distance
- Variable Zoom
- Optional Mirror and Prism

Model	Mag. Range	WD (mm)	Coax. Light	Zoom Ratio	Sensor
EHD-M0108S	0.1X – 0.8X	212	-	1:8	1/2"
EHD-M0324S	0.3X – 2.4X	213	-	1:8	1/2"
EHD-10100	1.0X – 10.0X	95	-	1:10	2/3"
EHD-10100COL	1.0X – 10.0X	97	Y	1:10	2/3"
EHD-0745	0.7X – 4.5X	100	-	1:6	2/3"
EHD-0745CO	0.7X – 4.5X	100	Y	1:6	2/3"
EHD-0530	0.47X – 3.0X	100	-	1:6	1/1.8"
EHD-0530CO	0.47X – 3.0X	100	Y	1:6	1/1.8"

Zoom Series



Technical Data

Modell	EHD-M0108S		
Optical Magnification Range	0.1X – 0.8X		
Optical Mag	0.1X	0.4X	0.8X
FoV 1/2"	48.0mm x 64.0mm	12.0mm x 16.0mm	6.0mm x 8.0mm
Working Distance	213.0mm +/-6		
Object & Imager Distance	340.9mm		
NA	0.006	0.026	0.045
DoF	62.4mm	3.9mm	1.1mm
TV Distortion	-0.16%	0.03%	0.05%
Mount	C-Mount		
Sensor Size Max	1/2"		
Filter Thread	M27, P0.5		
Weight	134g		
Dimension	D=32mm x L=110.4		

Modell	EHD-M0324S		
Optical Magnification Range	0.3X – 2.4X		
Optical Mag	0.3X	1.2X	2.4X
FoV 1/2"	16.0mm x 21.3mm	4.0mm x 5.3mm	2.0mm x 2.7mm
Working Distance	213.0mm +/-6		
Object & Imager Distance	363.2mm		
NA	0.006	0.024	0.046
DoF	62.4mm	3.9mm	1.1mm
TV Distortion	0.02%	0.05%	0.04%
Mount	C-Mount		
Sensor Size Max	1/2"		
Filter Thread	M27, P0.5		
Weight	165g		
Dimension	D=32mm x L=132.7mm		

Modell	EHD-10100		
Optical Magnification Range	1.0X – 10.0X		
Optical Mag	1.0X	4.0X	10.0X
FoV 2/3"	7.1mm x 8.4mm	1.8mm x 2.1mm	0.7mm x 0.8mm
FoV 1/2"	4.8mm x 6.4mm	1.2mm x 1.6mm	0.5mm x 0.6mm
Working Distance	95.0mm		
Object & Imager Distance	382.0mm		
NA	0.038	0.130	0.136
DoF	1.1mm	0.08mm	0.03mm
TV Distortion	0.16%	-0.01%	0.02%
Mount	C-Mount		
Sensor Size Max	2/3"		
Filter Thread	M43, P0.75		
Weight	820g		
Dimension	D=46mm x L=269.5mm		

Modell	EHD-0100COL		
Optical Magnification Range	1.0X – 10.0X		
Optical Mag	1.0X	4.0X	10.0X
FoV 2/3"	7.1mm x 8.4mm	1.8mm x 2.1mm	0.7mm x 0.8mm
FoV 1/2"	4.8mm x 6.4mm	1.2mm x 1.6mm	0.5mm x 0.6mm
Working Distance	97.0mm		
Object & Imager Distance	408.0mm		
NA	0.038	0.130	0.136
DoF	1.1mm	0.08mm	0.03mm
TV Distortion	0.16%	-0.01%	0.02%
Mount	C-Mount		
Sensor Size Max	2/3"		
Filter Thread	M43, P0.75		
Weight	1210g		
Dimension	D=46mm x L=293.5mm		

Modell	EHD-0530		
Optical Magnification Range	0.47X – 3.0X		
Optical Mag	0.47X	1.2X	3.0X
FoV 1/1.8"	11.5mm x 15.1mm	4.5mm x 5.9mm	1.8mm x 2.4mm
FoV 1/2"	10.2mm x 13.6mm	4.0mm x 5.3mm	1.6mm x 2.1mm
Working Distance	100.0mm +/-3mm		
Object & Imager Distance	267.8mm		
NA	0.034	0.065	0.076
DoF	2.5mm	0.5mm	0.2mm
TV Distortion	-0.09%	0.12%	0.11%
Mount	C-Mount		
Sensor Size Max	1/1.8"		
Filter Thread	M25, P0.5		
Weight	230g		
Dimension	D=38mm x L=150.3mm		

Modell	EHD-0530CO		
Optical Magnification Range	0.47X – 3.0X		
Optical Mag	0.47X	1.2X	3.0X
FoV 1/1.8"	11.5mm x 15.1mm	4.5mm x 5.9mm	1.8mm x 2.4mm
FoV 1/2"	10.2mm x 13.6mm	4.0mm x 5.3mm	1.6mm x 2.1mm
Working Distance	100.0mm +/-3mm		
Object & Imager Distance	289.8mm		
NA	0.034	0.065	0.076
DoF	2.5mm	0.5mm	0.2mm
TV Distortion	-0.09%	0.12%	0.11%
Mount	C-Mount		
Sensor Size Max	1/1.8"		
Filter Thread	M25, P0.5		
Weight	320g		
Dimension	D=44.5mm(max) x L=172.3mm		

Modell	EHD-0745		
Optical Magnification Range	0.7X – 4.5X		
Optical Mag	0.7X	1.8X	4.5X
FoV 2/3"	10.1mm x 10.0mm	3.9mm x 4.7mm	1.6mm x 1.9mm
FoV 1/2"	6.9mm x 9.1mm	2.7mm x 3.6mm	1.1mm x 1.41mm
Working Distance	100.0mm +/-3mm		
Object & Imager Distance	291.6mm		
NA	0.034	0.065	0.076
DoF	1.7mm	0.3mm	0.1mm
TV Distortion	-0.03%	0.09%	0.08%
Mount	C-Mount		
Sensor Size Max	2/3"		
Filter Thread	M25, P0.5		
Weight	260g		
Dimension	D=38.5mm(max) x L=174.1mm		

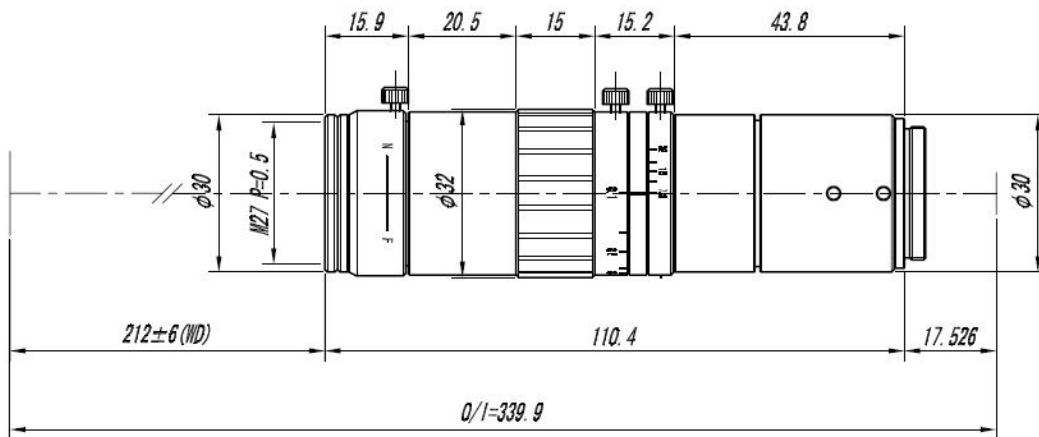
Modell	EHD-0745CO		
Optical Magnification Range	0.7X – 4.5X		
Optical Mag	0.7X	1.8X	4.5X
FoV 2/3"	10.1mm x 10.0mm	3.9mm x 4.7mm	1.6mm x 1.9mm
FoV 1/2"	6.9mm x 9.1mm	2.7mm x 3.6mm	1.1mm x 1.41mm
Working Distance	100.0mm +/-3mm		
Object & Imager Distance	313.6mm		
NA	0.034	0.065	0.076
DoF	1.7mm	0.3mm	0.1mm
TV Distortion	-0.03%	0.09%	0.08%
Mount	C-Mount		
Sensor Size Max	2/3"		
Filter Thread	M25, P0.5		
Weight	260g		
Dimension	D=44.5mm(max) x L=196.1mm		

Converter Lens

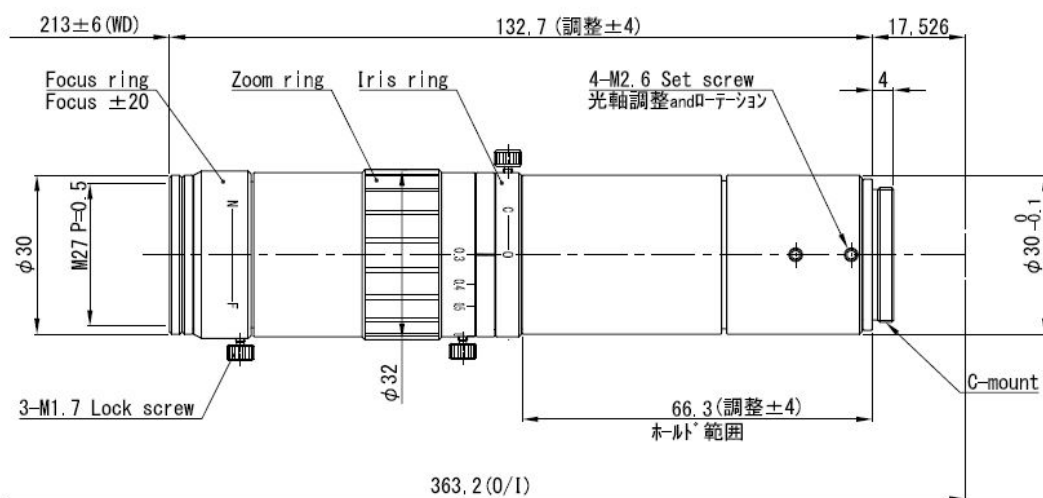
Model	EHD-Z0.3X	EHD-Z0.4X	EHD-Z0.5X	EHD-Z0.7X
Converter Mag.	0.3X	0.4X	0.5X	0.7X
Mag. Range	0.21X-1.35X / 0.141X-0.9X	0.28X-1.8X / 0.188X-1.2X	0.35X-2.25X / 0.235X-1.5X	0.49X-3.15X / 0.329X-2.1X
WD (Focus Center)	360.5mm	250.6mm	201.0mm	140.0mm

Dimensions

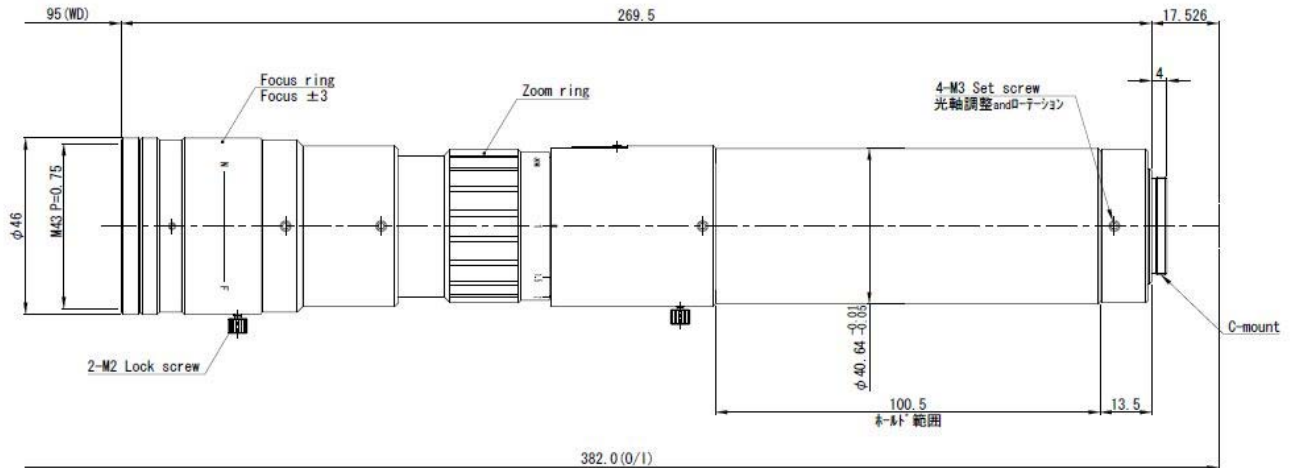
EHD-M0108S



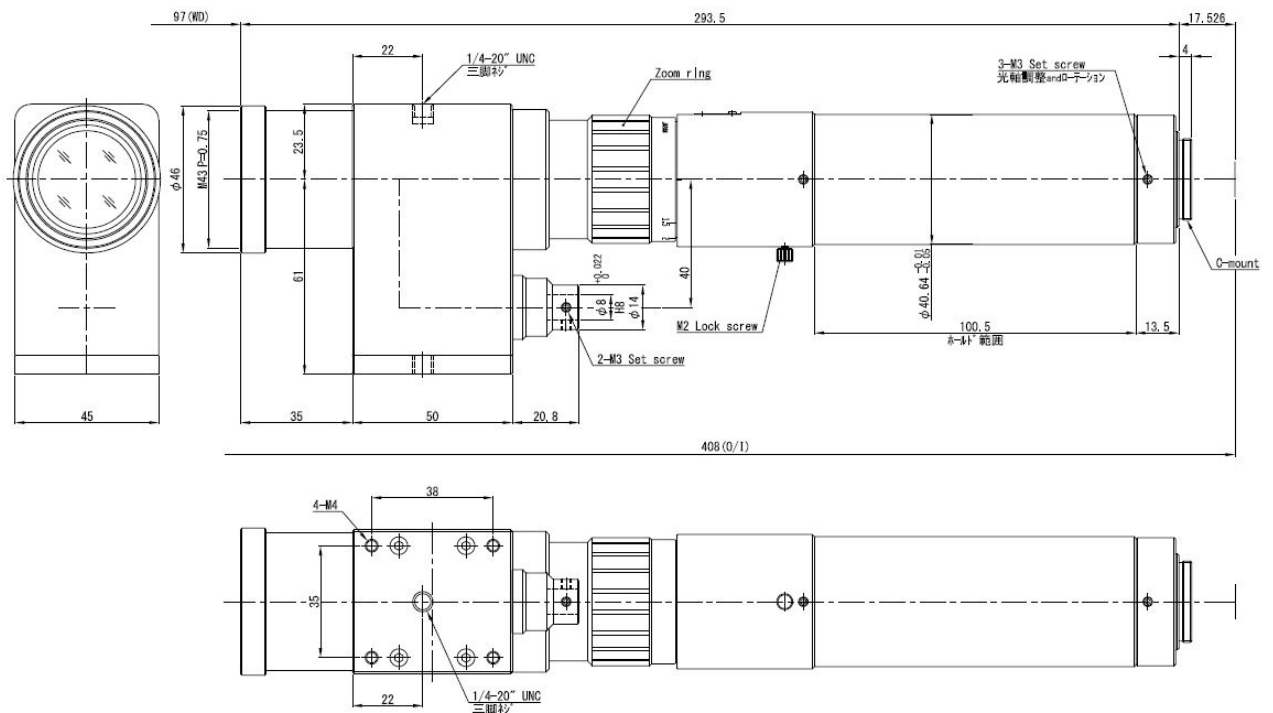
EHD-M0324S



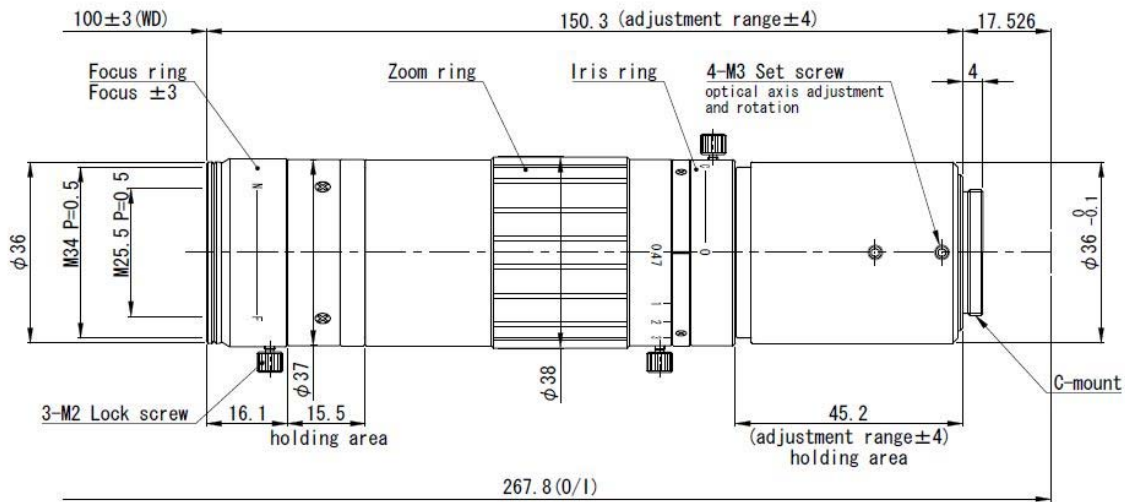
EHD-10100



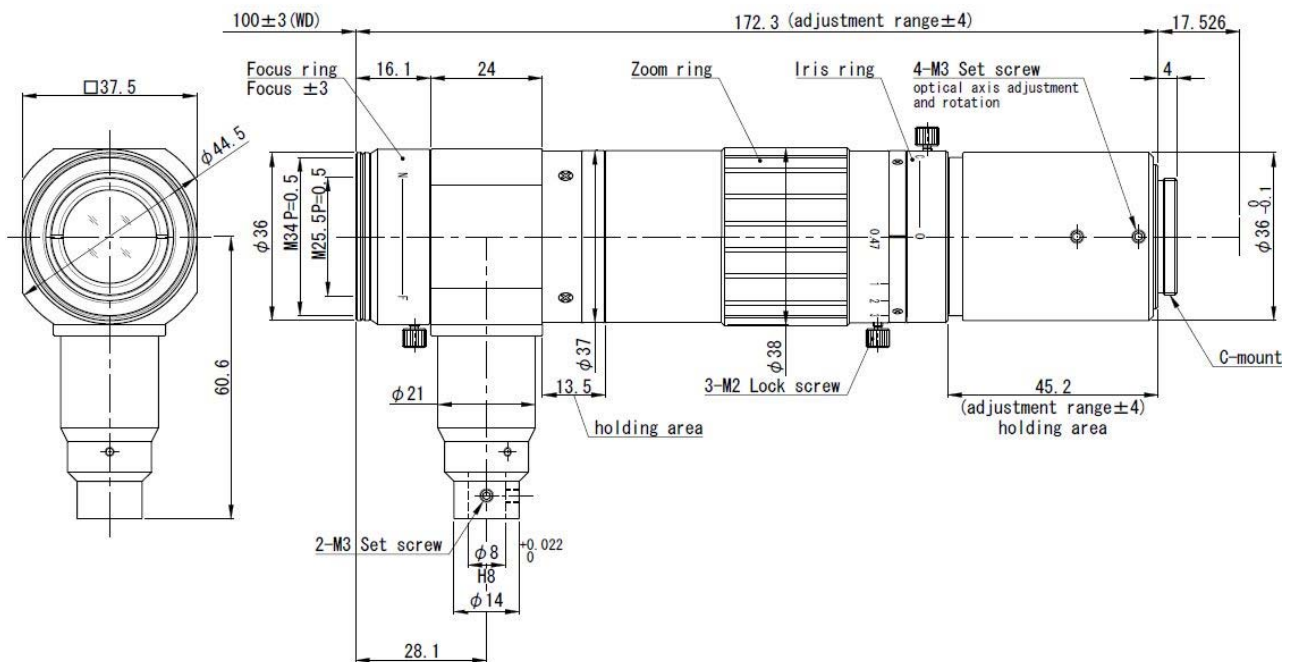
EHD-10100COL



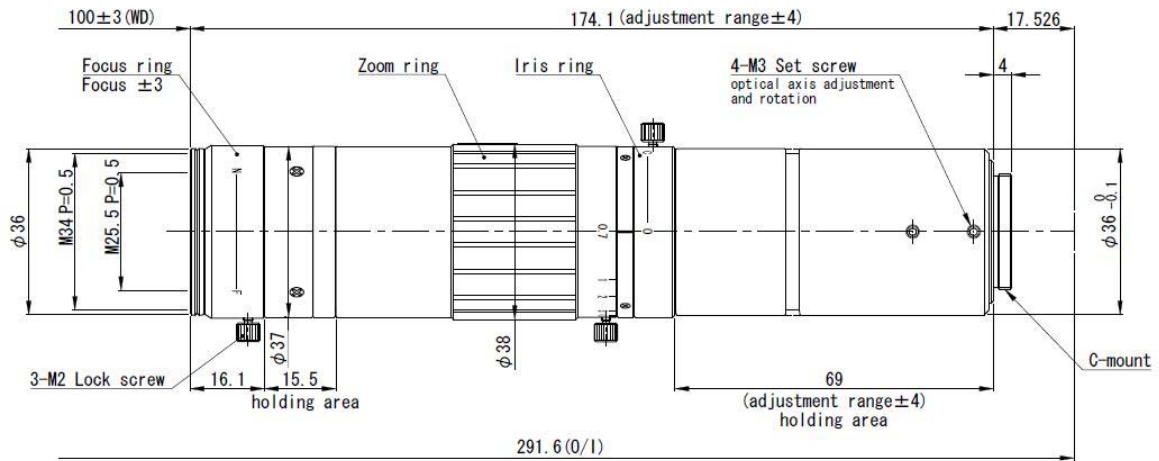
EHD-0530



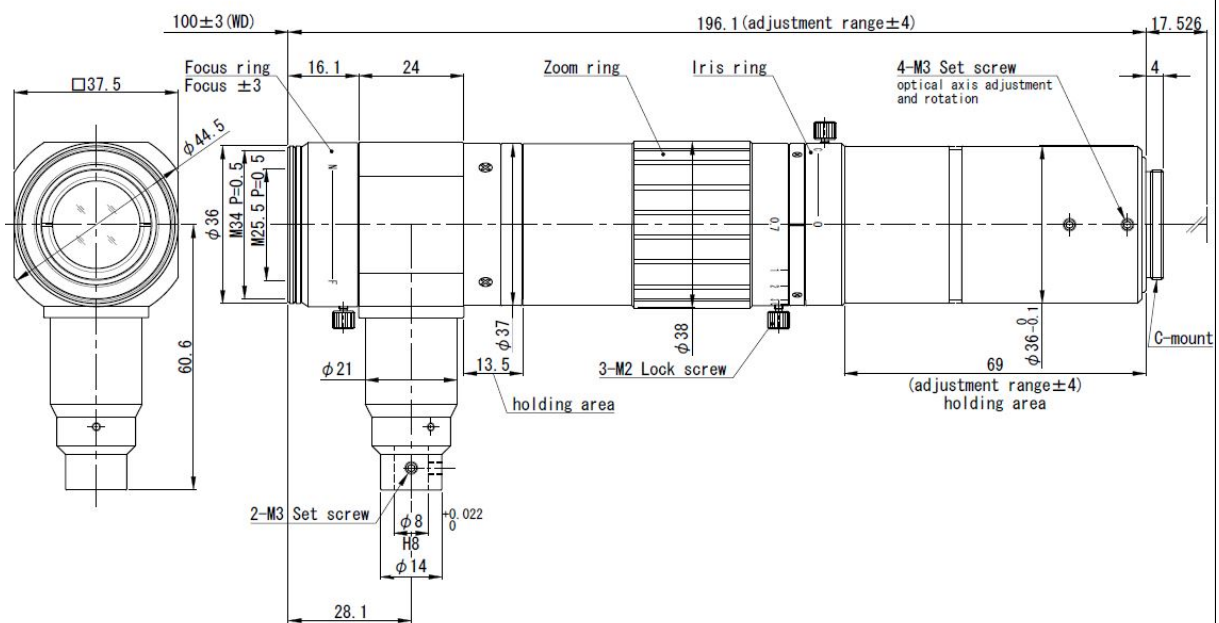
EHD-0530CO



EHD-0745



EHD-0745CO



Mirror & Prism



EHD-PZ-C255F

