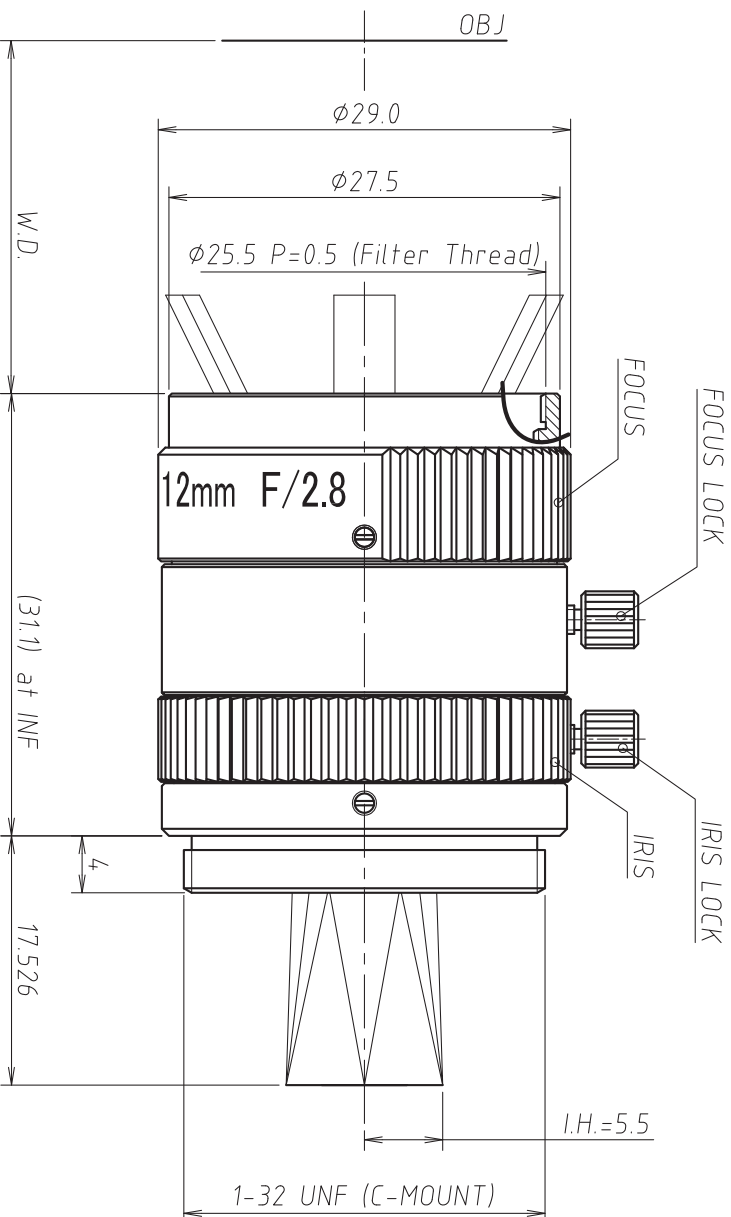


Lens Specification	
Focal length	12.08 mm (at $\lambda = 250\text{nm}$)
Back focal length	15.44 mm
Mechanical back	13.526 mm
Aperture ratio	F/2.8~F/16
Image size	2/3" (6.6mm x 8.8mm)
Magnification	
Distortion	-6.8 %
Angle of view at INF.	
Vertical	31.3 °
Horizontal	41.7 °
Diagonal	52.1 °
Resolution	
Center	120 LP/mm
Corner	20 LP/mm
Pupil positions from the lens surface.	
Entrance pupil	9.70 mm (Front lens)
Exit pupil	-30.02 mm (Image plane)
Principal points from the lens surface.	
Object space	19.92 mm (Front lens)
Image space	-12.08 mm (Image plane)
Coating ($\lambda = 250\text{nm}$)	
All surfaces are antireflection coated. MgF2 single coated.	

Note:

1. Mini.WD = 27.2mm (at $\lambda = 250\text{nm}$)
2. Mini.WD = 60.3mm (at $\lambda = 350\text{nm}$)



△		TITLE	12mm F/2.8 UV LENS
△		P/NO.	UV1228CM
△		Mfg NO.	VH420A-Y01-1
△	02/20/2012	SHEET	1 OF 1
		REV	A